

# 515 Wok

Project: \_\_\_\_\_

Location: \_\_\_\_\_

| Catalog Number              | MODEL      | WATTS | FINISH | OPTION(S) |
|-----------------------------|------------|-------|--------|-----------|
| Example: 515-1LED14-BLK-30K | <b>515</b> | -     | -      | -         |



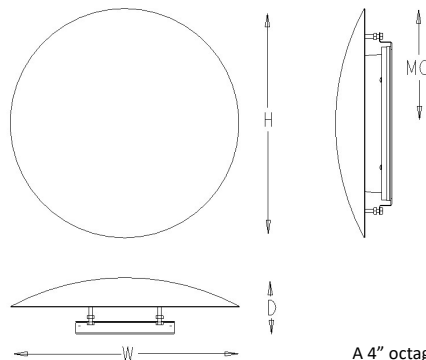
This fixture, with its spherical shape, is aesthetically appealing in the daytime or at night. A soft halo of light projects out from the fixture to provide an excellent building marker.

### Features:

- A superb "light marker" for walls and columns
- Fully enclosed and gasketed fixture
- Spun aluminum construction
- Easy installation
- No visible fasteners
- Standard 0-10V dimming driver. 120-277V MVOLT
- Listed and approved for wet locations
- Manufactured in the USA

### Dimensions

| Width | Height | Depth  |
|-------|--------|--------|
| 18"   | 18"    | 5.625" |



A 4" octagonal junction box should be used for installation

MC = Mounting Center, located at center of fixture unless noted otherwise

### Ordering Information/Options

| Model | Watts  | Finishes    | Options  |
|-------|--------|-------------|--|
| 515   | 1LED9  | 1100 Lumens | <b>TP</b> Tamperproof Nuts<br><b>30K</b> 3000 Kelvin Temperature<br><b>35K</b> 3500 Kelvin Temperature<br><b>40K</b> 4000 Kelvin Temperature<br><b>IEM</b> Integral Emergency Pack |
|       | 1LED14 | 1550 Lumens |  |
|       | 1LED19 | 2000 Lumens |  |
|       | 1LED23 | 2500 Lumens |  |
|       |        | MVOLT       | <b>WHT</b> White<br><b>BLK</b> Black<br><b>SAL</b> Silver<br><b>BRZ</b> Bronze   |



PHONE: 509.924.0243

www.indessa.com

Indessa Lighting reserves the right to make design revisions without prior notice.

