

519 Pizza Pan

Project: _____

Location: _____

Catalog Number	MODEL	WATTS	FINISH	OPTION(S)
Example: 519-1LED19-BRZ-40K	519	-	-	-



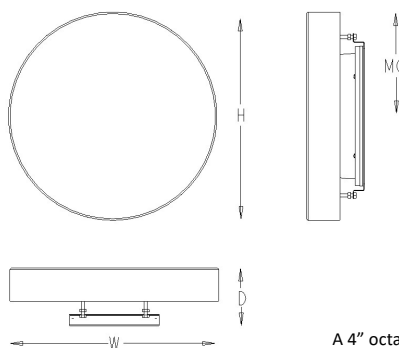
Features:

- Economical, round "light marker"
- Fully enclosed and gasketed fixture
- Spun aluminum construction
- No visible fasteners
- Easy installation
- Standard 0-10V dimming driver. 120-277V MVOLT
- Listed and approved for wet locations
- Manufactured in the USA

Dimensions

Width	Height	Depth
18"	18"	4.5"

The Pizza Pan provides excellent building marking with a subtle light output. Completely enclosed and gasketed, the fixture can withstand any harsh environment.



A 4" octagonal junction box should be used for installation

MC = Mounting Center, located at center of fixture unless noted otherwise

Ordering Information/Options

Model	Watts	Finishes	Options
519	1LED9	1100 Lumens	TP Tamperproof Nuts 30K 3000 Kelvin Temperature 35K 3500 Kelvin Temperature 40K 4000 Kelvin Temperature IEM Integral Emergency Pack
	1LED14	1550 Lumens	
	1LED19	2000 Lumens	
	1LED23	2500 Lumens	
		MVOLT	WHT White BLK Black SAL Silver BRZ Bronze