

377 Poplar

Project: _____

Location: _____

| Catalog Number | MODEL | LENGTH/WATTS | FINISH | OPTION(S) |
|------------------------------|------------|--------------|--------|-----------|
| Example: 377-26LED16-SAL-30K | 377 | - | - | - |



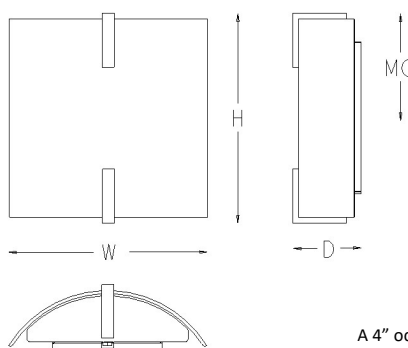
A softly glowing fixture that provides a pleasing and warm feeling. Simple to install, the Poplar is perfect for multi-family complexes, healthcare facilities and office buildings.

Features:

- Contoured 3/16" sandblasted acrylic lens shields the LEDs and melts into the décor
- Solid aluminum, decorative bars available in a number of powder coat finishes
- Offered in a wide variety of lumen packages
- Standard 0-10V dimming driver. 120-277V MVOLT
- Suitable for dry or damp locations
- Meets all ADA requirements
- Manufactured in the USA

Dimensions

| Width | Height | Depth |
|-------|--------|-------|
| 12" | 12.75" | 4" |
| 12" | 16.25" | 4" |



A 4" octagonal junction box should be used for installation
MC = Mounting Center, located at center of fixture unless noted otherwise

Ordering Information/Options

| Model | Length | Watts | Finishes | Options | | | | |
|-------|--------|-------|-------------|---------|-------|------------------|-----|-------------------------|
| 377 | 13 | LED7 | 1100 Lumens | M_VOLT | WHT | White | DL | Damp Label |
| | | LED11 | 1700 Lumens | | BLK | Black | TL | Top Lens |
| | | LED14 | 2300 Lumens | | SAL | Silver | BL | Bottom Lens |
| 16 | 16 | LED7 | 1100 Lumens | M_VOLT | BRZ | Bronze | 30K | 3000 Kelvin Temperature |
| | | LED11 | 1700 Lumens | | BA | Brushed Aluminum | 35K | 3500 Kelvin Temperature |
| | | LED14 | 2300 Lumens | | RAL** | RAL Custom Color | 40K | 4000 Kelvin Temperature |
| | | | | | | | IEM | Integral Emergency Pack |

** Consult factory for RAL Custom Color adder

Indessa
Lighting

PHONE: 509.924.0243

www.indessa.com

Indessa Lighting reserves the right to make design revisions without prior notice.

