

377 Poplar

Project: _____

Location: _____

Catalog Number	MODEL	LENGTH/WATTS	FINISH	OPTION(S)
Example: 377-26LED16-SAL-30K	377	-	-	-



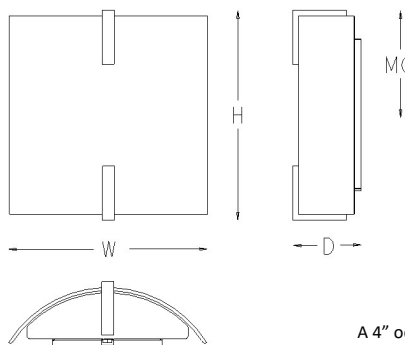
A softly glowing fixture that provides a pleasing and warm feeling. Simple to install, the Poplar is perfect for multi-family complexes, healthcare facilities and office buildings.

Features:

- Contoured 3/16" sandblasted acrylic lens shields the LEDs and melts into the décor
- Solid aluminum, decorative bars available in a number of powder coat finishes
- Offered in a wide variety of lumen packages
- Standard 0-10V dimming driver, 120-277V MVOLT, 80 CRI
- Suitable for dry or damp locations
- Meets all ADA requirements
- Buy American Act Compliant

Dimensions

Width	Height	Depth
12"	12.75"	4"
12"	16.25"	4"



A 4" octagonal junction box should be used for installation
MC = Mounting Center, located at center of fixture unless noted otherwise

Ordering Information/Options

Model	Length	Watts	Finishes	Options				
377	13	LED7	1100 Lumens	MVOLT	WHT	White	DL	Damp Label
		LED11	1700 Lumens		BLK	Black	TL	Top Lens
		LED14	2300 Lumens		SAL	Silver	BL	Bottom Lens
16	16	LED7	1100 Lumens	MVOLT	BRZ	Bronze	30K	3000 Kelvin Temperature
		LED11	1700 Lumens		BA	Brushed Aluminum	35K	3500 Kelvin Temperature
		LED14	2300 Lumens		RAL**	RAL Custom Color	40K	4000 Kelvin Temperature
							IEM	Integral Emergency Pack

** Consult factory for RAL Custom Color adder

Indessa
Lighting

PHONE: 509.924.0243

www.indessa.com

Indessa Lighting reserves the right to make design revisions without prior notice.

