

480 Blade

Project: _____

Location: _____

| Catalog Number | MODEL | WATTS | FINISH | OPTION(S) |
|----------------------------|------------|-------|--------|-----------|
| Example: 480-1LED9-SAL-40K | 480 | - | - | - |



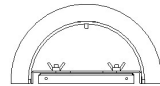
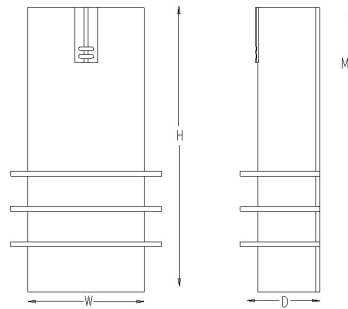
The Blade, with its three Saturn like rings, is a contemporary fixture that provides high levels of illumination in an ADA compliant fixture.

Features:

- Thick, symmetrical blades set this fixture apart from other cylindrical fixtures
- Unique “skeleton” electrical system allows blades and lens to be attached with no visible fasteners
- Offered in a variety of LED packages to meet your lighting needs
- Standard 0-10V dimming driver, 120-277V MVOLT, 80 CRI
- Suitable for dry or damp locations
- Meets all ADA requirements
- Buy American Act Compliant

Dimensions

| Width | Height | Depth | MC |
|-------|---------|-------|----|
| 7.75" | 14.125" | 4" | 6" |



A 4" octagonal junction box should be used for installation

MC = Mounting Center, located at center of fixture unless noted otherwise

Ordering Information/Options

| Model | Watts | Finishes | Options |
|-------|--------|--|--|
| 480 | 1LED9 | 1100 Lumens | DL Damp Label 30K 3000 Kelvin Temperature 35K 3500 Kelvin Temperature 40K 4000 Kelvin Temperature |
| | 1LED14 | 1550 Lumens | |
| | 1LED19 | 2000 Lumens | |
| | | | |
| | MVOLT | WHT White BLK Black SAL Silver BRZ Bronze BA Brushed Aluminum | |